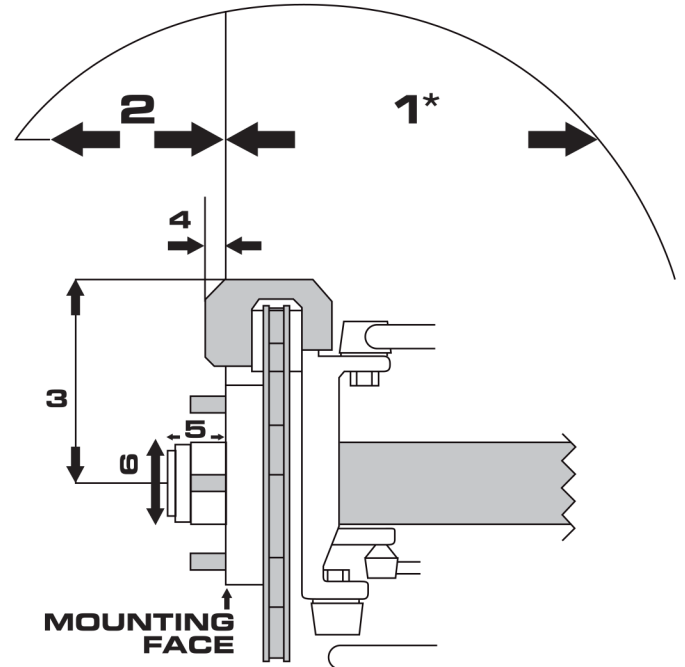


FRONT WHEEL MEASUREMENT

	L	R
1. BACKSPACE. MOUNTING FACE UNDER
2. FRONTSACE. MOUNTING FACE OUT
3. CENTRE OF HUB TO OUTSIDE BRAKE
4. CALIPER OVERHANG PAST MOUNTING FACE
5. OVERALL HUB LENGTH
6. HUB DIAMETER

MEASUREMENTS 1 & 2 SHOULD BE CALCULATED AT RIDE HEIGHT



* Measure backspace to first point of contact look carefully up and down for the first point at the rear this is often leaf spring.

REAR WHEEL MEASUREMENT

	L	R
1. BACKSPACE. MOUNTING FACE UNDER
2. FRONTSACE. MOUNTING FACE OUT
3. CENTRE OF HUB TO OUTSIDE BRAKE
4. CALIPER OVERHANG PAST MOUNTING FACE
5. OVERALL HUB LENGTH
6. HUB DIAMETER

MEASUREMENTS 1 & 2 SHOULD BE CALCULATED AT RIDE HEIGHT

USEFUL TIP
 Wheels are 1 inch wider than the size suggests.
 For instance an 18x7 is actually 8 inches wide overall.
 Width wise, to fit an 18x7 you will need 8 inches for the wheel plus tire bulge

NOTES:

.....

.....

.....

.....

.....

WARNING: REMOVING AND REINSTALLING WHEELS CAN CAUSE SERIOUS ACCIDENTS AND/OR INJURIES. REFER TO THE OWNERS MANUAL FOR YOUR VEHICLE TO FIND THE CORRECT WHEEL REMOVAL PROCEDURE. IN THE ABSENCE OF THE MANUAL, ONLY PERSONS WITH PRIOR WHEEL REMOVAL EXPERIENCE SHOULD REMOVE WHEELS USING A FLOOR JACK TO LIFT THE VEHICLE AND SUPPORTING JACK STANDS. ENSURE THE VEHICLE AND STANDS ARE ON A FLAT LEVEL SURFACE BEFORE COMMENCING.

NAME:

ADDRESS:

PHONE 1:

PHONE 2:

FAX:

EMAIL:

VEHICLE INFO

MAKE:

MODEL:

YEAR:

EXISTING WHEELS

FRONT

SIZE:

TIRE SIZE:

BACKSPACE/OFFSET:

FITMENT ISSUES

REAR

SIZE:

TIRE SIZE:

BACKSPACE/OFFSET:

FITMENT ISSUES

PREFERRED NEW WHEELS

FRONT

TYPE:

SIZE:

BACKSPACE/OFFSET:

REAR

TYPE:

SIZE:

BACKSPACE/OFFSET:

MODIFICATIONS AFFECTING WHEEL FITMENT

FRONT

BRAKES:

SUSPENSION:

OTHER MODS:

REAR

BRAKES:

SUSPENSION:

OTHER MODS: